

CHANGE REQUEST

Title: MEM AD IETF Lemonade issue Public OMA Confidential
To: OMA MWG MEM
Doc to Change: OMA-AD-Mobile_Email-V1_0_0-20070614-D
Submission Date: 21 Aug. 2007
Classification: 0: New Functionality
 1: Major Change
 2: Bug Fix
 3: Clerical
Source: Zoltán Ördögh, Nokia, zoltan.ordogh@nokia.com
Replaces: OMA-MEM-2007-0041-CR_LEMONADE_ISSUES

1 Reason for Change

IETF Lemonade has identified problems in the MEM AD regarding figure 15:

- It is unclear what behaviour refers to,
- It is unclear why the SUBMIT server box is green.

Proposed changes:

- Add 'Lemonade' in from of behaviour
- Change SUBMIT Server to Submission Server
- Clarify caption

R01 contains the following changes:

- The group agreed to change Figure 14 to be consistent with the first part of Figure 15. Therefore the caption of Figure 14 should read: "OMA MEM Enabler realized using IETF Lemonade IMAP and SUBMIT servers."
- Also, Move the key for the content flow arrow and colour keys (legend) to the upper right hand corner to be consistent with Figure 15.

2 Impact on Backward Compatibility

None.

3 Impact on Other Specifications

None.

4 Intellectual Property Rights

Members and their Affiliates (collectively, "Members") agree to use their reasonable endeavours to inform timely the Open Mobile Alliance of Essential IPR as they become aware that the Essential IPR is related to the prepared or published Specification. This obligation does not imply an obligation on Members to conduct IPR searches.

USE OF THIS DOCUMENT BY NON-OMA MEMBERS IS SUBJECT TO ALL OF THE TERMS AND CONDITIONS OF THE USE AGREEMENT (located at <http://www.openmobilealliance.org/UseAgreement.html>) AND IF YOU HAVE NOT AGREED TO THE TERMS OF THE USE AGREEMENT, YOU DO NOT HAVE THE RIGHT TO USE, COPY OR DISTRIBUTE THIS DOCUMENT.

THIS DOCUMENT IS PROVIDED ON AN "AS IS" "AS AVAILABLE" AND "WITH ALL FAULTS" BASIS.

This duty is contained in the Open Mobile Alliance application form to which each Member's attention is drawn. Members shall submit to the General Manager of Operations of OMA the IPR Statement and the IPR Licensing Declaration. These forms are available from OMA or online at the OMA website at www.openmobilealliance.org.

5 Recommendation

Working group to review and agree on this change request.

6 Detailed Change Proposal

Change 1: Update figure and caption

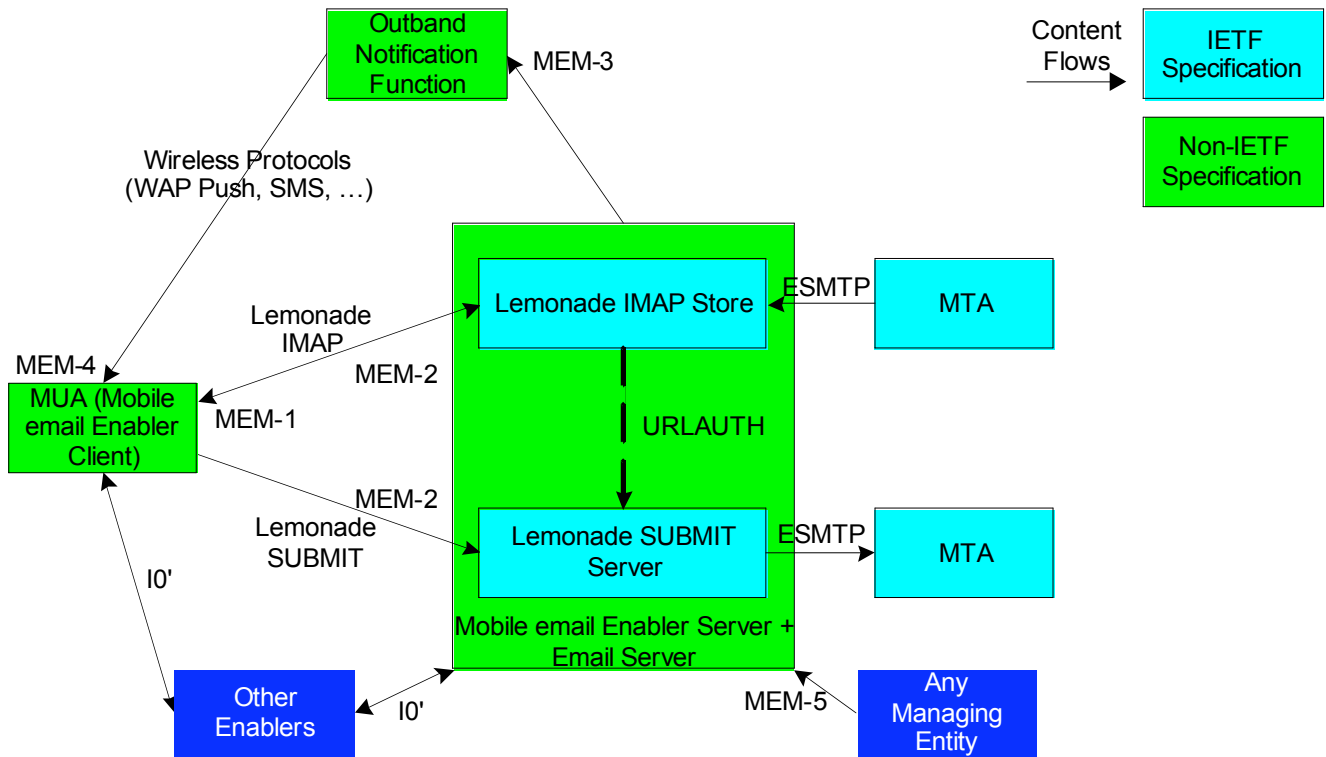


Figure 1 - OMA MEM Enabler realized using IETF Lemonade IMAP and SUBMIT servers.

In

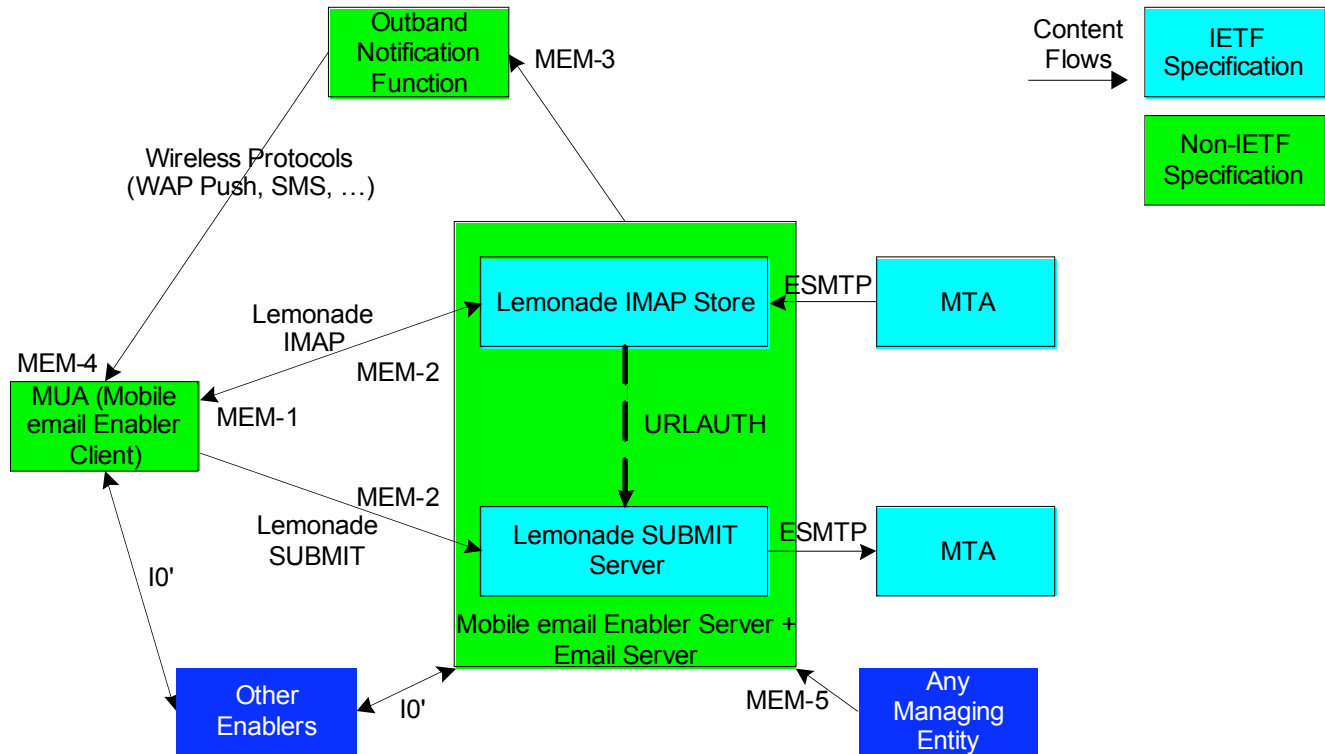


Figure 1, the MEM Server and Email Server components have collapsed into just two components specified by IETF Lemonade: the Lemonade IMAP Store and SUBMIT Server [RFC2821] plus mechanisms to support out band data exchanges. MEM-2 should support the Lemonade IMAP Store and Lemonade SUBMIT Server.

As discussed in section **Error! Reference source not found.**, proxies may be involved.

In general, message stores and bindings are not limited to the IETF specifications as shown in **Error! Reference source not found.**

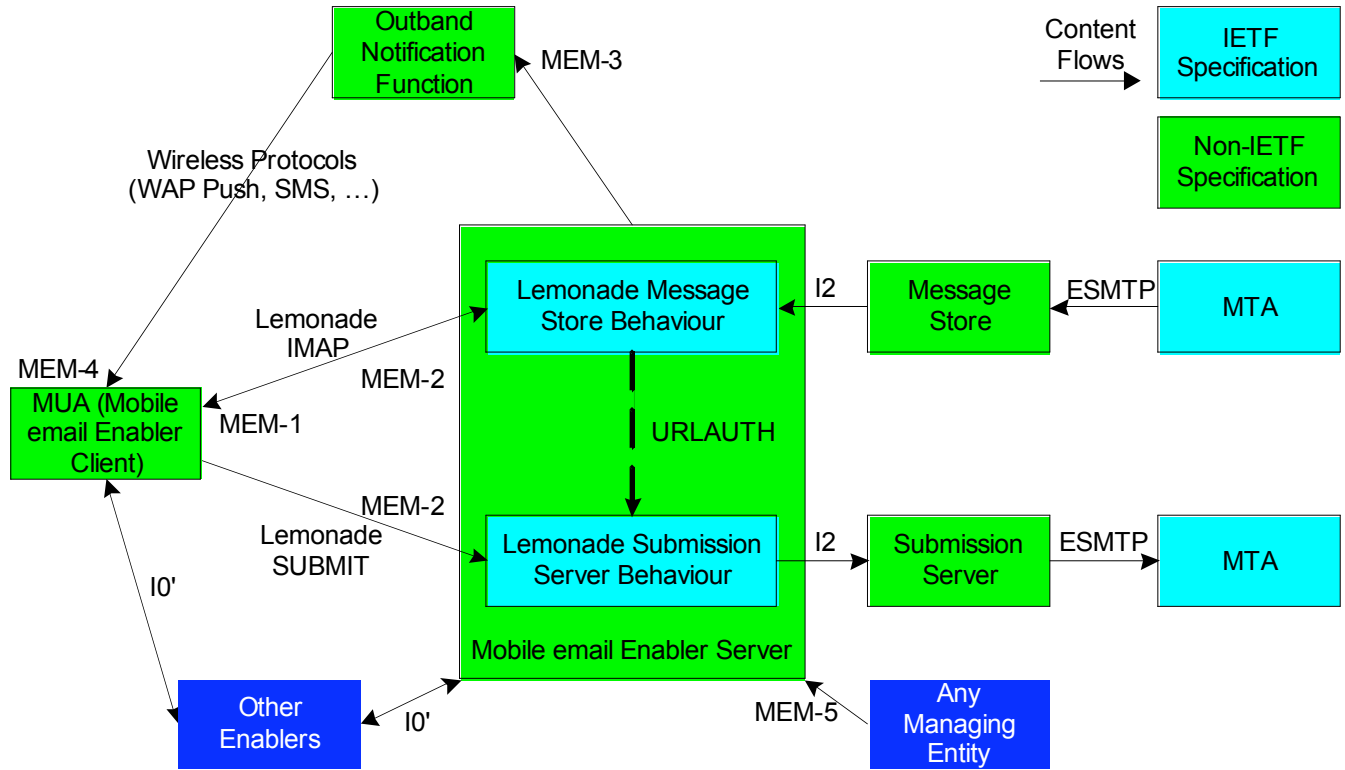


Figure 2 - OMA MEM Enabler realized based on IETF Lemonade specifications using non-IETF message store and submission server.